

Dual Seal Hydrophilic Waterstops

Description

Dual Seal Waterstop is a bentonite based waterstop which reacts in contact with water by swelling to form a watertight seal in concrete structures.

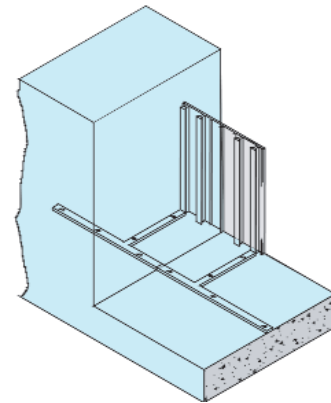
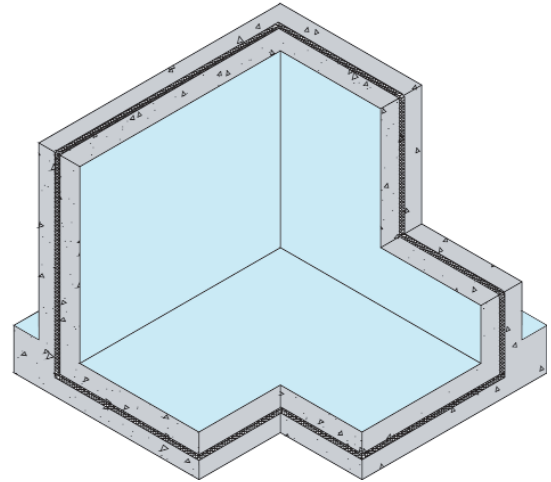
Approvals

Dual Seal Waterstop is Agrément certified for use as a suitable waterstop in concrete construction joints.

Application

Dual Seal waterstop is fixed by nailing to the face of the existing pour prior to placing the next pour. It is installed directly on to scabbled surfaces and will swell into voids up to 12mm deep. Changes in direction and end joints are simply achieved by butting together, no welding is required.

- Supplied in 8metre rolls
- Dimensions 7mm x 25mm



Please contact our Technical department should you require further information or project specific application details

Physical Properties	Value	Test Method
Tensile Strength	44.8N/mm ²	ASTM D146
% Elongation - ultimate failure	600%	D638
Water penetration at Joint	0%	
Operating temperatures	- 43°C to +132°C	
Cycling over 38mm joints	No deterioration 2000 cycles	

SCP CONCRETE SEALING TECHNOLOGY LTD

Crowbush Farm Business Park, Luton Road, Toddington, Beds LU5 6HU United Kingdom

Telephone: +44(0)1525 872700.

Facsimile: +44(0) 1525 871019

Email: info@scpwaterproofing.com

Web: scpwaterproofing.com